

										AFFAIR:										"DATE First Issue"	REVISION
										AL MORJAN COMPOUND / MOTHER VILLA										4-Nov-22	00
										SA21.44 WSK											

STRUCTURAL ISSUED FOR CONSTRUCTION - LIST OF DRAWING

"BUILDING "	" N° TRADE "	"N° OF DOCUMENT "	"NAME OF FILES "	"DATE OF DRAWING "	"DATE OF TRANSMITTAL "	"PHASE ISSUED FOR CONSTRUCTION"	SCALE	"KEY "	"SIZE OF DOCUMENT "	"REVISION "	"REVISION DATE "	"REVISION "	"REVISION DATE "	"REVISION "	"REVISION DATE "	"REVISION "	"REVISION DATE "	"REVISION "	"REVISION DATE "
GENERAL																			
MV	SC	00	LIST OF DRAWINGS	2022-11-04	2022-11-04	FC	NTS		A0	00	2022-11-04	-	-	-	-	-	-	-	-
MV	SC	00	GENERAL NOTES	2022-11-04	2022-11-04	FC	NTS		A0	00	2022-11-04	-	-	-	-	-	-	-	-
MV	SC	00	GENERAL DETAILS SHEET 1 OF 3	2022-11-04	2022-11-04	FC	NTS		A0	00	2022-11-04	-	-	-	-	-	-	-	-
MV	SC	00	GENERAL DETAILS SHEET 2 OF 3	2022-11-04	2022-11-04	FC	NTS		A0	00	2022-11-04	-	-	-	-	-	-	-	-
MV	SC	00	GENERAL DETAILS SHEET 3 OF 3	2022-11-04	2022-11-04	FC	NTS		A0	00	2022-11-04	-	-	-	-	-	-	-	-
PLANS																			
MV	SC	01	AXES AND COLUMNS AT BASEMENT FLOOR LEVEL	2022-11-04	2022-11-04	FC	1/100		A0	00	2022-11-04	-	-	-	-	-	-	-	-
MV	SC	01	AXES AND COLUMNS AT GROUND FLOOR LEVEL	2022-11-04	2022-11-04	FC	1/100		A0	00	2022-11-04	-	-	-	-	-	-	-	-
MV	SC	01	AXES AND COLUMNS AT FIRST FLOOR LEVEL	2022-11-04	2022-11-04	FC	1/100		A0	00	2022-11-04	-	-	-	-	-	-	-	-
MV	SC	01	FOUNDATION LAYOUT PLAN	2022-11-04	2022-11-04	FC	1/100		A0	00	2022-11-04	-	-	-	-	-	-	-	-
MV	SC	01	FOUNDATION REINFORCEMENT PLAN	2022-11-04	2022-11-04	FC	1/100		A0	00	2022-11-04	-	-	-	-	-	-	-	-
MV	SC	01	GROUND FLOOR FRAMING PLAN	2022-11-04	2022-11-04	FC	1/100		A0	00	2022-11-04	-	-	-	-	-	-	-	-
MV	SC	01	GROUND FLOOR REINFORCEMENT PLAN	2022-11-04	2022-11-04	FC	1/100		A0	00	2022-11-04	-	-	-	-	-	-	-	-
MV	SC	01	FIRST FLOOR FRAMING PLAN	2022-11-04	2022-11-04	FC	1/100		A0	00	2022-11-04	-	-	-	-	-	-	-	-
MV	SC	01	FIRST FLOOR REINFORCEMENT PLAN	2022-11-04	2022-11-04	FC	1/100		A0	00	2022-11-04	-	-	-	-	-	-	-	-
MV	SC	01	ROOF FLOOR FRAMING PLAN	2022-11-04	2022-11-04	FC	AS SHOWN		A0	00	2022-11-04	-	-	-	-	-	-	-	-
MV	SC	01	ROOF FLOOR REINFORCEMENT PLAN	2022-11-04	2022-11-04	FC	AS SHOWN		A0	00	2022-11-04	-	-	-	-	-	-	-	-
SCHEDULES																			
MV	SC	02	SCHEDULES SHEET 1 OF 3	2022-11-04	2022-11-04	FC	1/25		A0	00	2022-11-04	-	-	-	-	-	-	-	-
MV	SC	02	SCHEDULES SHEET 2 OF 3	2022-11-04	2022-11-04	FC	1/25		A0	00	2022-11-04	-	-	-	-	-	-	-	-
MV	SC	02	SCHEDULES SHEET 3 OF 3	2022-11-04	2022-11-04	FC	NTS		A0	00	2022-11-04	-	-	-	-	-	-	-	-
SECTIONS AND DETAILS																			
MV	SC	03	SECTIONS AND DETAILS SHEET 1 OF 3	2022-11-04	2022-11-04	FC	1/25		A0	00	2022-11-04	-	-	-	-	-	-	-	-
MV	SC	03	SECTIONS AND DETAILS SHEET 2 OF 3	2022-11-04	2022-11-04	FC	1/25		A0	00	2022-11-04	-	-	-	-	-	-	-	-
MV	SC	03	SECTIONS AND DETAILS SHEET 3 OF 3	2022-11-04	2022-11-04	FC	1/25		A0	00	2022-11-04	-	-	-	-	-	-	-	-
MV	SC	03	ARCH BEAMS DETAILS	2022-11-04	2022-11-04	FC	1/25		A0	00	2022-11-04	-	-	-	-	-	-	-	-
MV	SC	04	STAIRS DETAILS	2022-11-04	2022-11-04	FC	AS SHOWN		A0	00	2022-11-04	-	-	-	-	-	-	-	-

GENERAL NOTES:
 1. DO NOT SCALE FROM THIS DRAWING.
 2. THIS DRAWING MUST BE READ IN CONJUNCTION WITH ALL OTHER RELEVANT DRAWINGS AND SPECIFICATIONS.
 3. CONTRACTOR MUST REPORT ANY DISCREPANCIES PRIOR TO EXECUTION OF ANY WORKS.
 4. ALL DIMENSIONS MUST BE VERIFIED ON SITE PRIOR TO ORDER OR MANUFACTURE OF MATERIALS OR PRODUCTION OF SHOP DRAWINGS.



ISSUED FOR CONSTRUCTION

REV.	DATE	DESCRIPTION
FC-00	04-11-2022	FIRST_ISSUE

CLIENT:

MAIN CONSULTANT:

SUB-CONSULTANT:

PROJECT:
Al Morjan Compound
Mother Villa
 JEDDAH, KSA

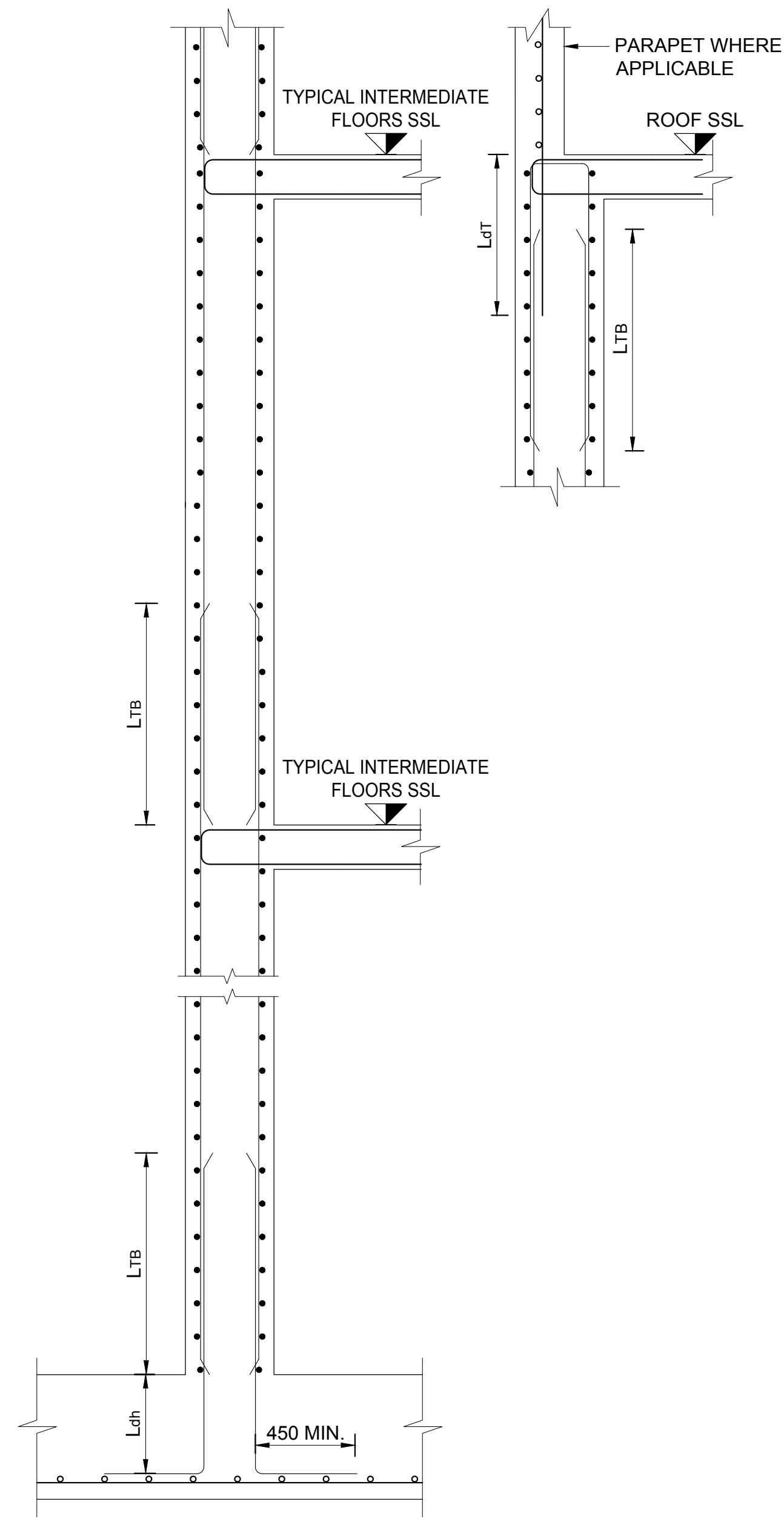
SHEET CONTENTS:
LIST OF DRAWINGS

Structural Package

SCALE: N.T.S

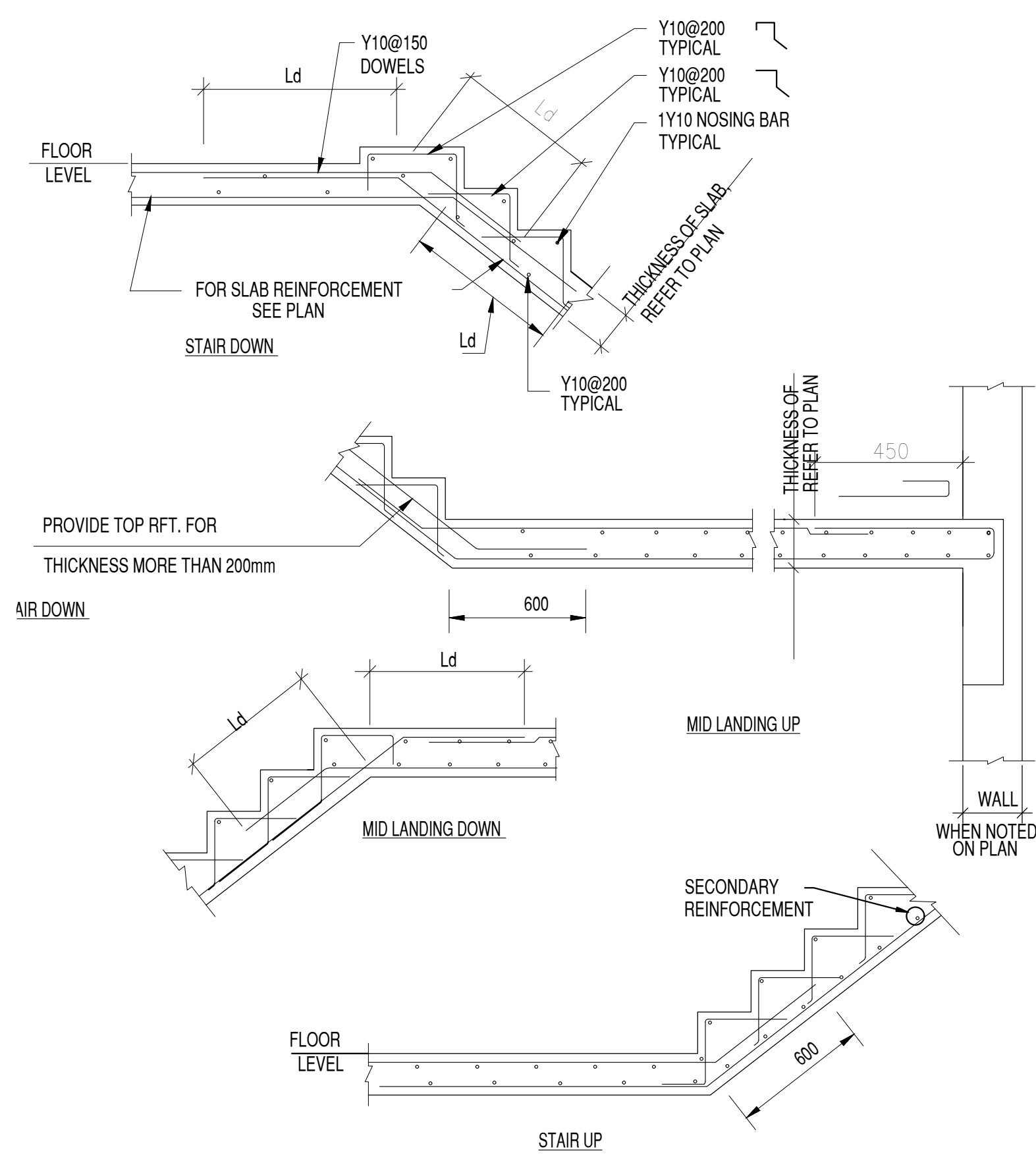
DRAWN BY	CHECKED BY	APPROVED BY	DESIGNED BY
H.Z	M.E	O.M	A.S

1st ISSUE DATE	PROJECT NO	DRAWING NO	REV
04-11-2022	SA21.44	SC-MV-00-0-0001	FC-00

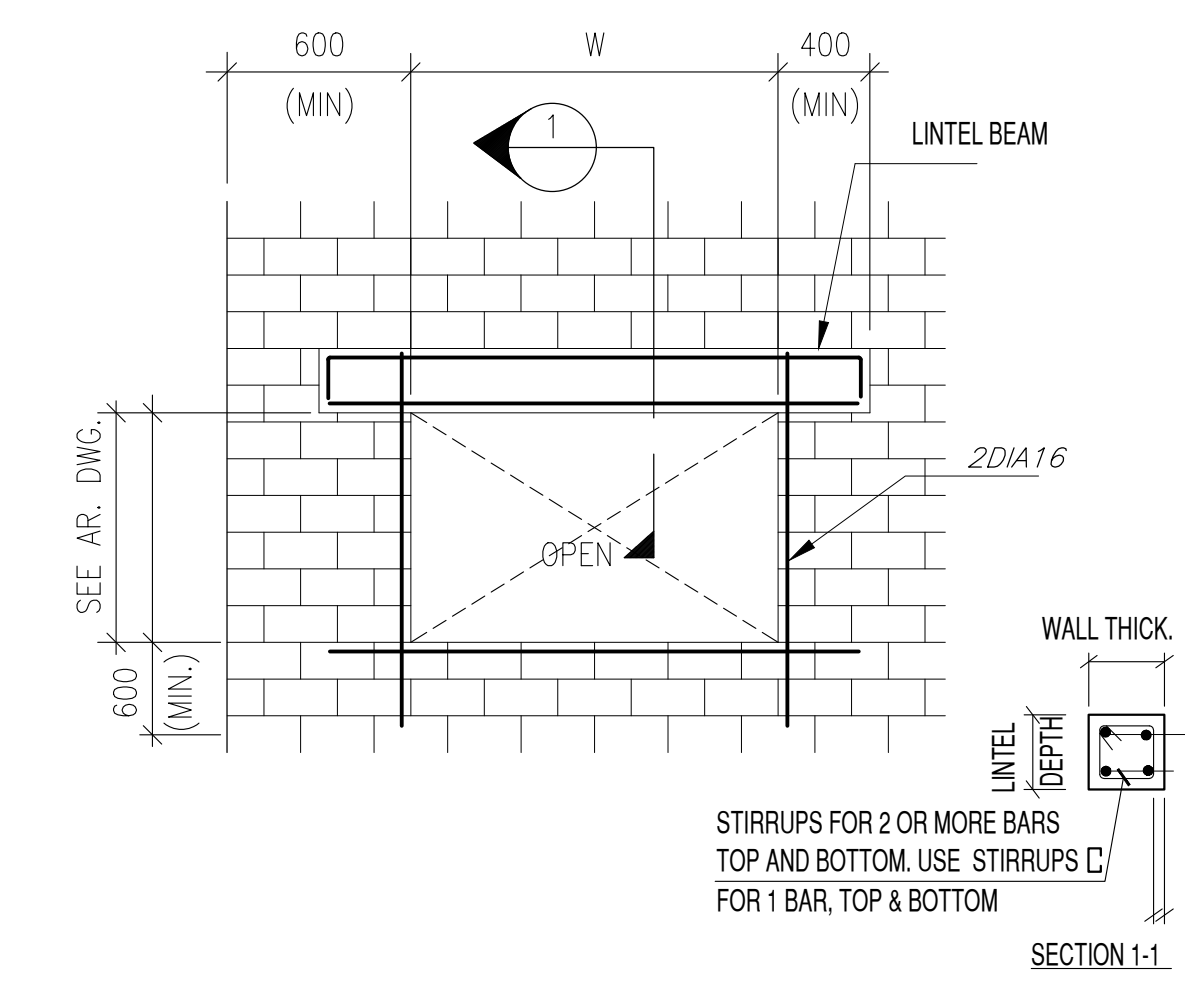


TYPICAL SECTION THROUGH SHEAR WALL

09 TYPICAL SHEAR WALL DETAILS

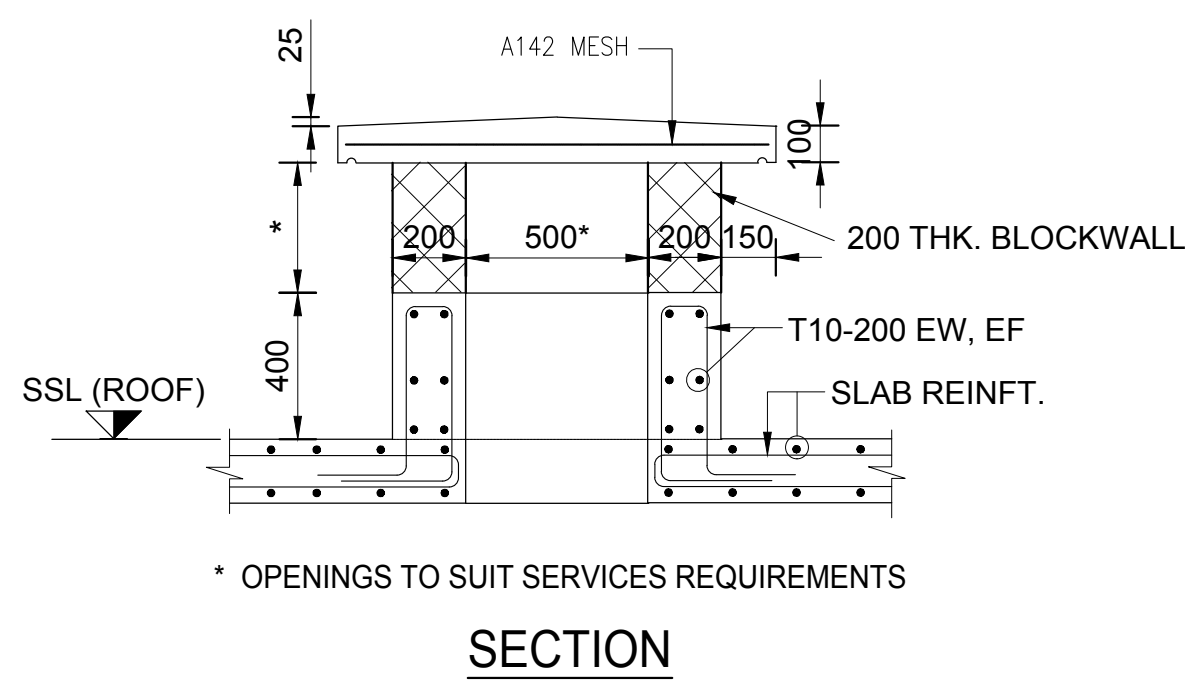


10 CAST IN SITU CONCRETE STAIR DETAILS



NOTE:
OMIT BARS FOR OPENING LESS THAN 200 VERT. & 400 HOR.

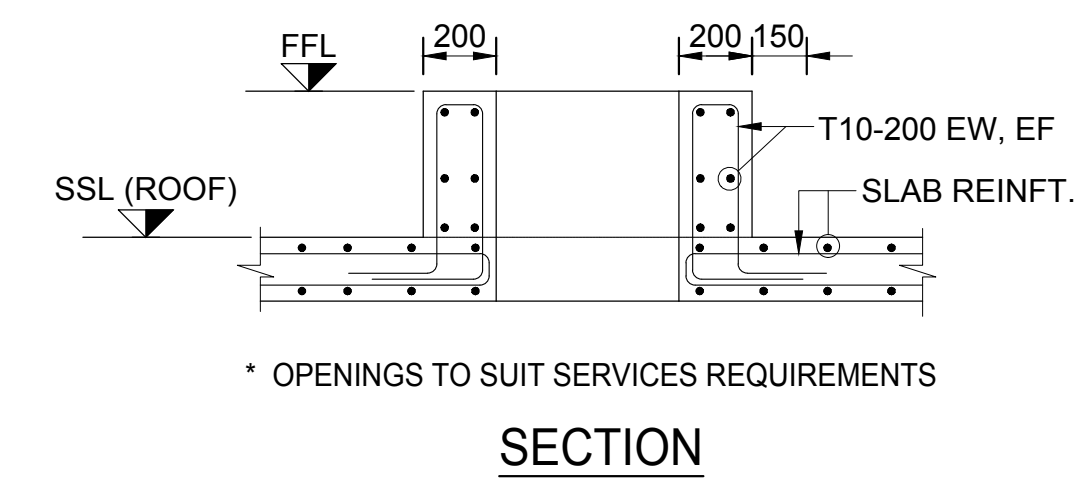
11 RECTANGULAR OPENING IN BLOCKWORK WALL U.O.N



* OPENINGS TO SUIT SERVICES REQUIREMENTS

SECTION

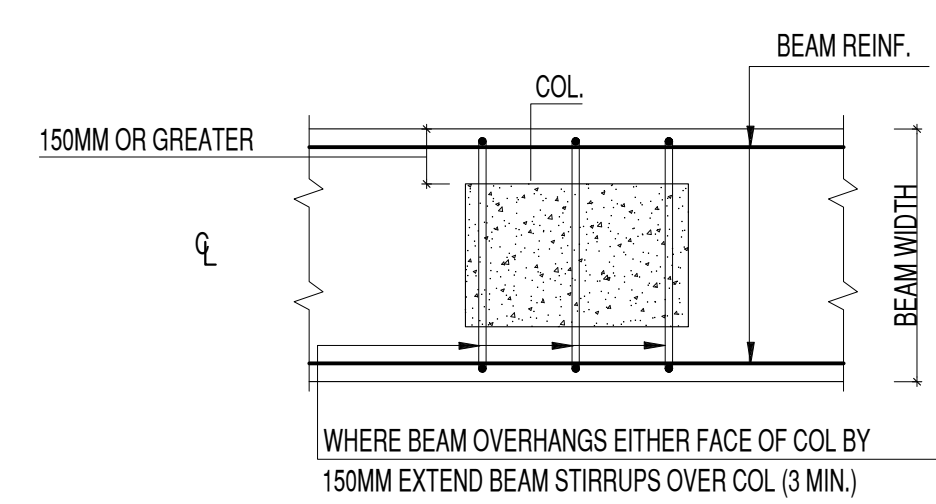
12 TYPICAL COVERED ROOF PENETRATION FOR MEP SERVICES



* OPENINGS TO SUIT SERVICES REQUIREMENTS

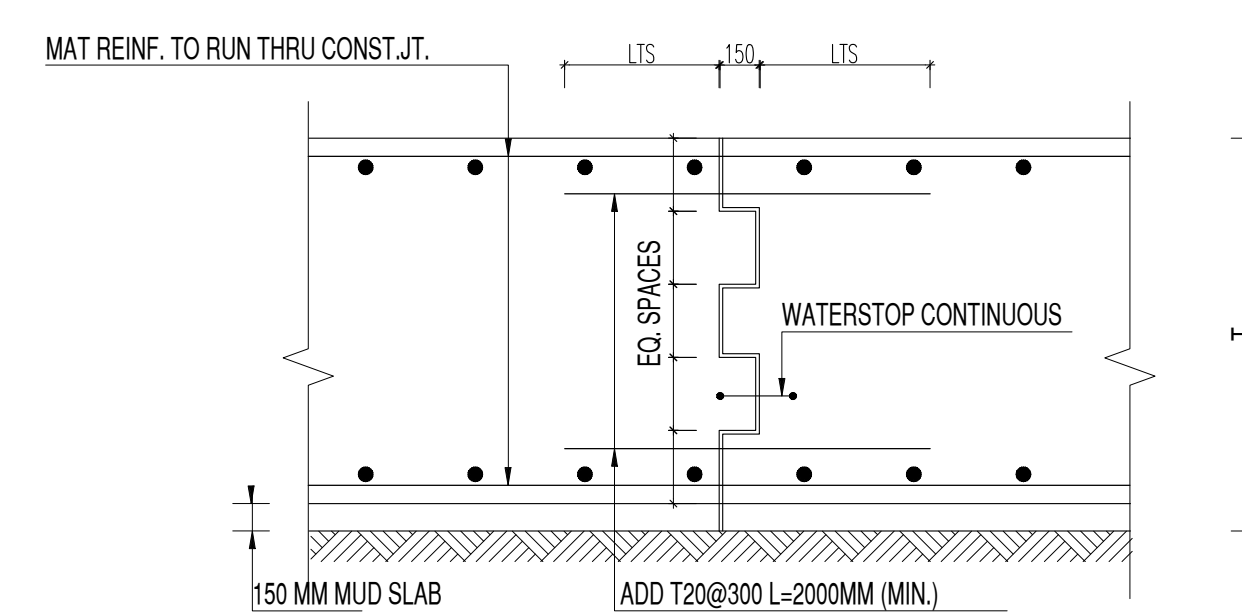
SECTION

13 TYPICAL UPSTAND DETAIL AROUND OPENING IN ROOF LEVEL

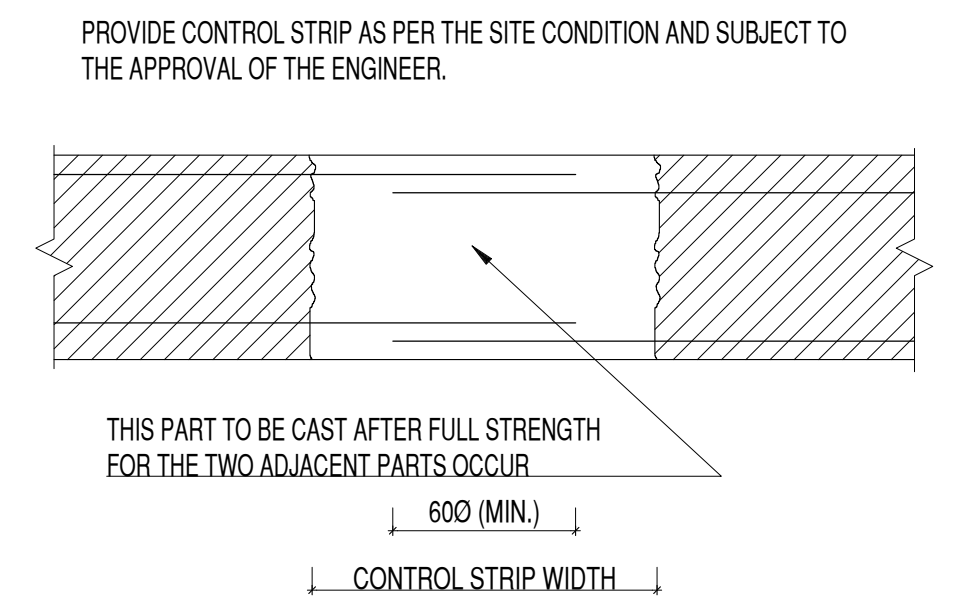


WHERE BEAM OVERHANGS EITHER FACE OF COL BY 150MM EXTEND BEAM STIRRUPS OVER COL (3 MIN.)

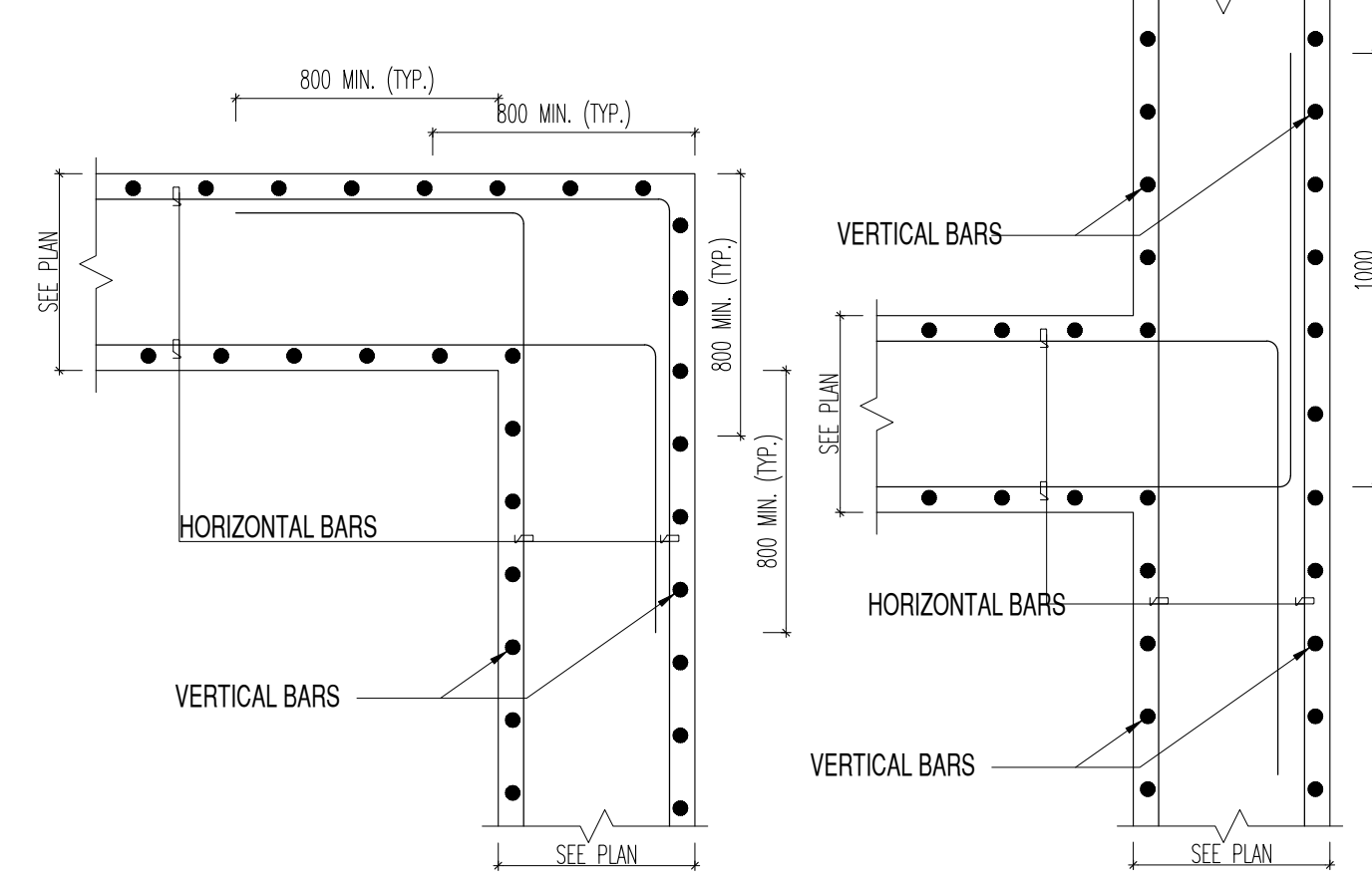
14 PLAN DETAIL AT COLUMN WHERE BEAM IS WIDER THAN COLUMN



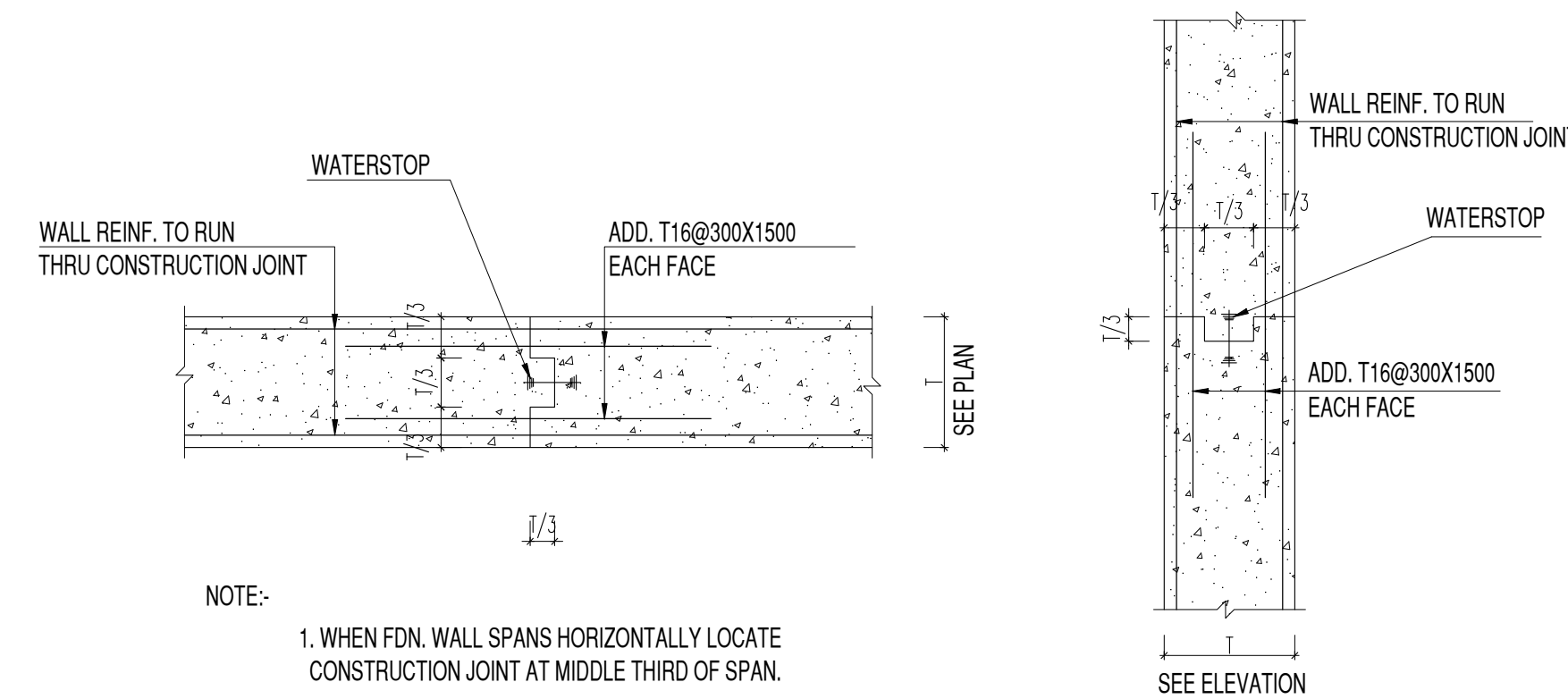
15 MAT CONSTRUCTION JOINT DETAIL
N.T.S



16 CONTROL STRIP DETAIL
N.T.S

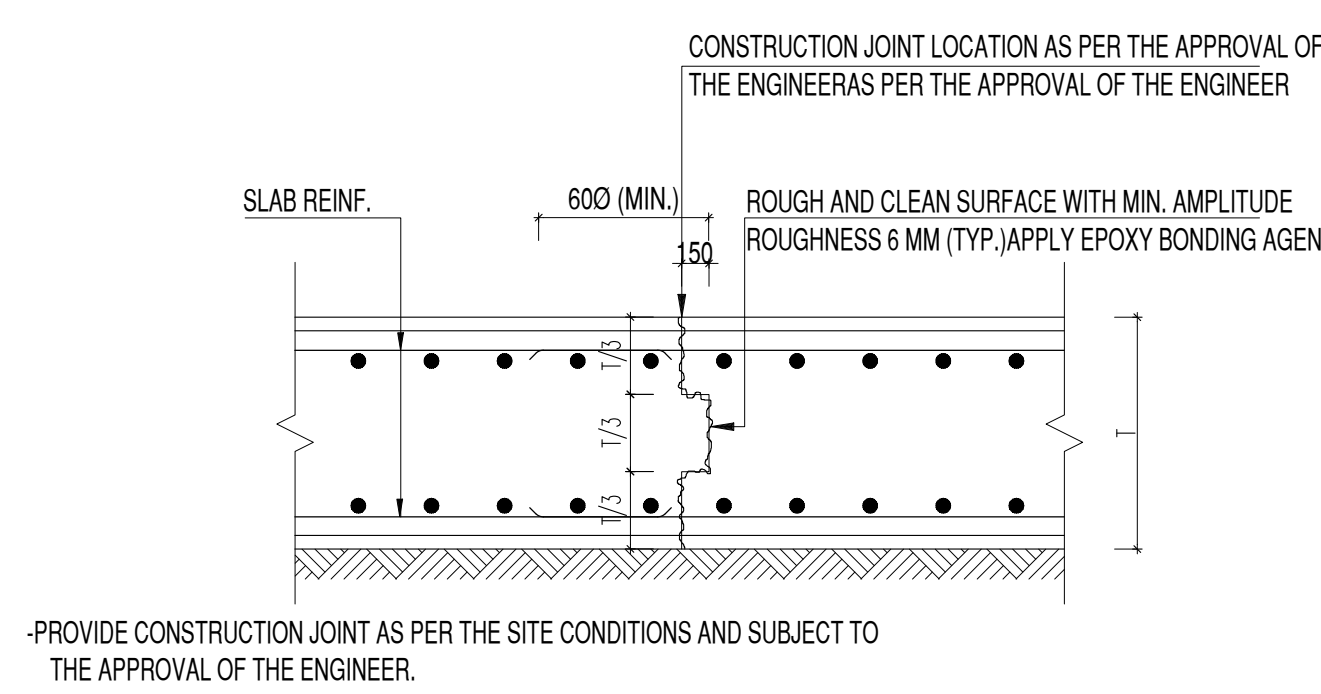


17 TYP. HORIZONTAL WALLS REINFORCEMENT DETAIL
N.T.S



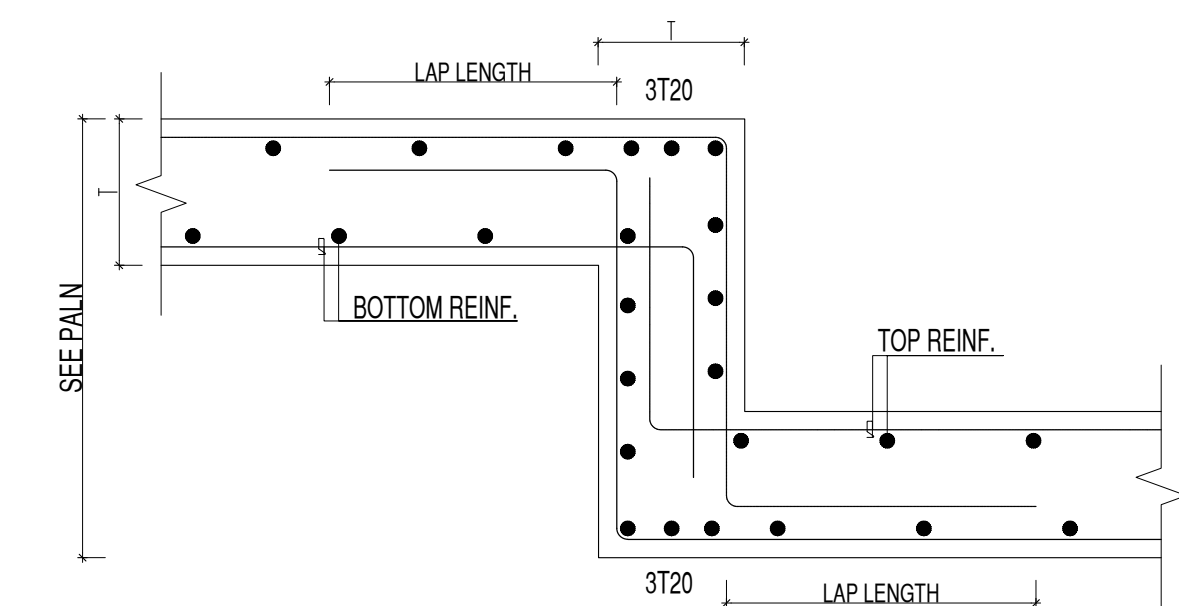
NOTE:
1. WHEN FOR WALL SPANS HORIZONTALLY LOCATE CONSTRUCTION JOINT AT MIDDLE THIRD OF SPAN.

18 TYP. VERTICAL / HORIZONTAL CONSTRUCTION JOINT DETAIL FOR WALLS
N.T.S

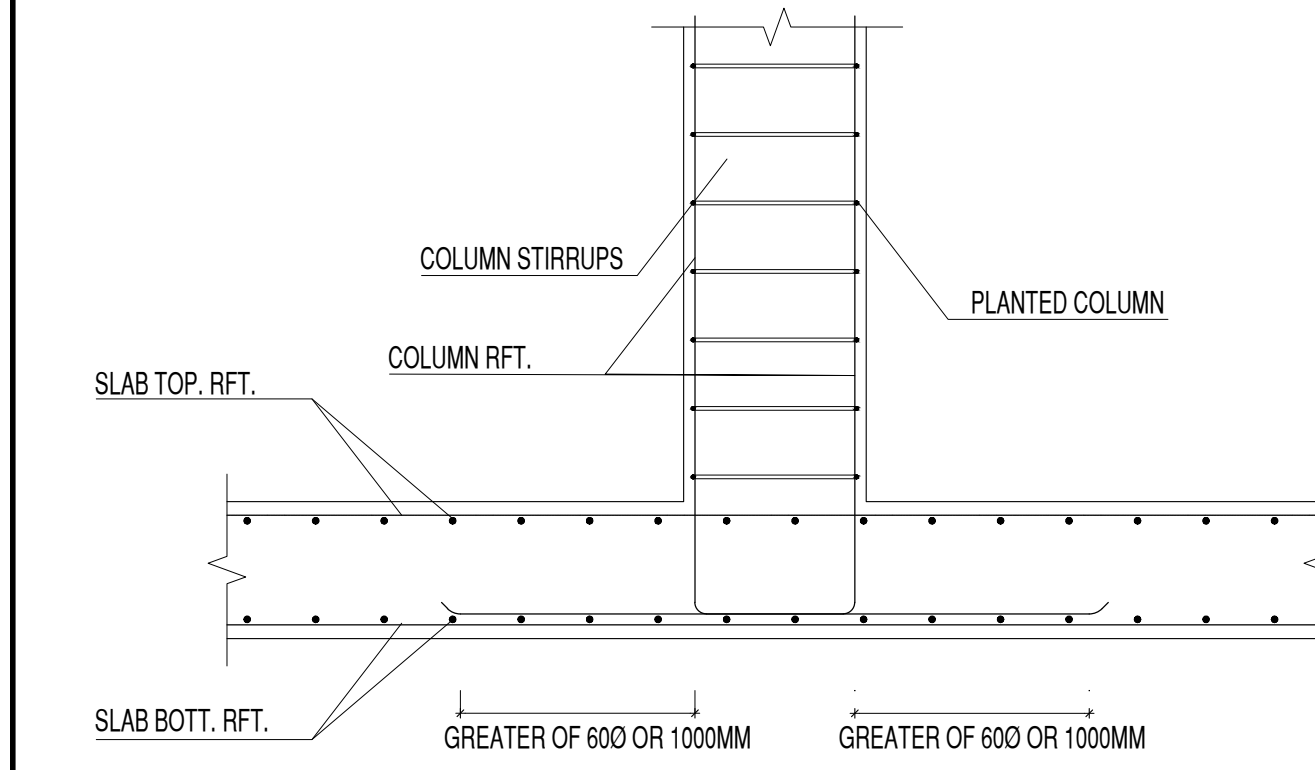


PROVIDE CONSTRUCTION JOINT AS PER THE SITE CONDITIONS AND SUBJECT TO THE APPROVAL OF THE ENGINEER.

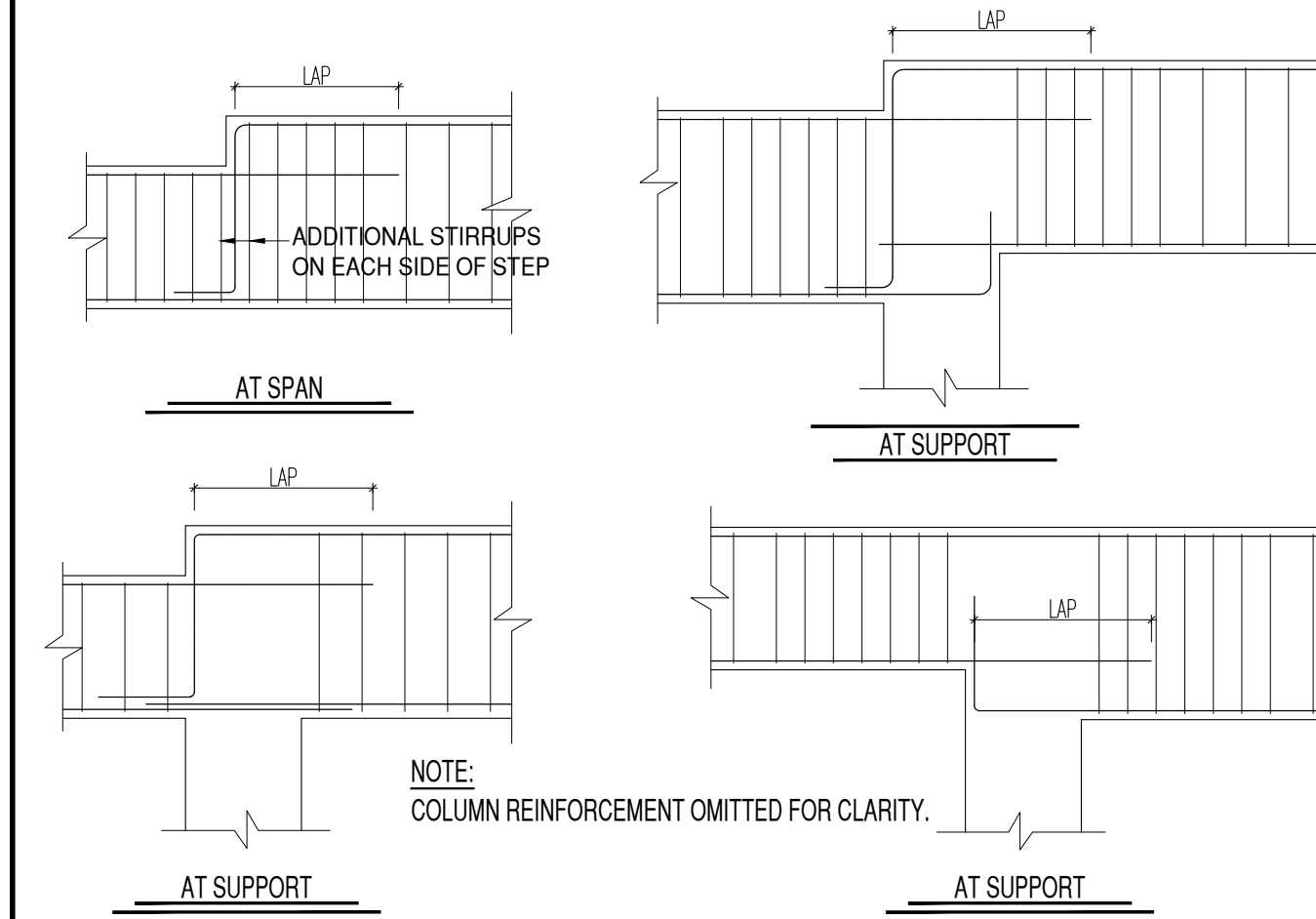
19 SLAB CONSTRUCTION JOINT DETAIL
N.T.S



20 TYP. DETAILED SECTION BETWEEN DIFFERENT SLAB LEVEL
N.T.S



21 TYPICAL DETAIL AT PLANTED COLUMN
N.T.S



NOTE:
COLUMN REINFORCEMENT OMITTED FOR CLARITY.

22 TYP. DETAIL OF STEP IN BEAM
N.T.S

GENERAL NOTES:
1. DO NOT SCALE FROM THIS DRAWING.
2. THIS DRAWING MUST BE READ IN CONJUNCTION WITH ALL OTHER RELEVANT DRAWINGS AND SPECIFICATIONS.
3. CONTRACTOR MUST REPORT ANY DISCREPANCIES PRIOR TO EXECUTION OF ANY WORKS.
4. ALL DIMENSIONS MUST BE VERIFIED ON SITE PRIOR TO ORDER OR MANUFACTURE OF MATERIALS OR PRODUCTION OF SHOP DRAWINGS.

GENERAL KEY PLAN



ISSUED FOR CONSTRUCTION

REV.	DATE	DESCRIPTION
FC-00	04-11-2022	FIRST_ISSUE

CLIENT:
DAR SALEH

MAIN CONSULTANT :

SUB-CONSULTANT :

PROJECT:
**Al Morjan Compound
Mother Villa**
JEDDAH, KSA

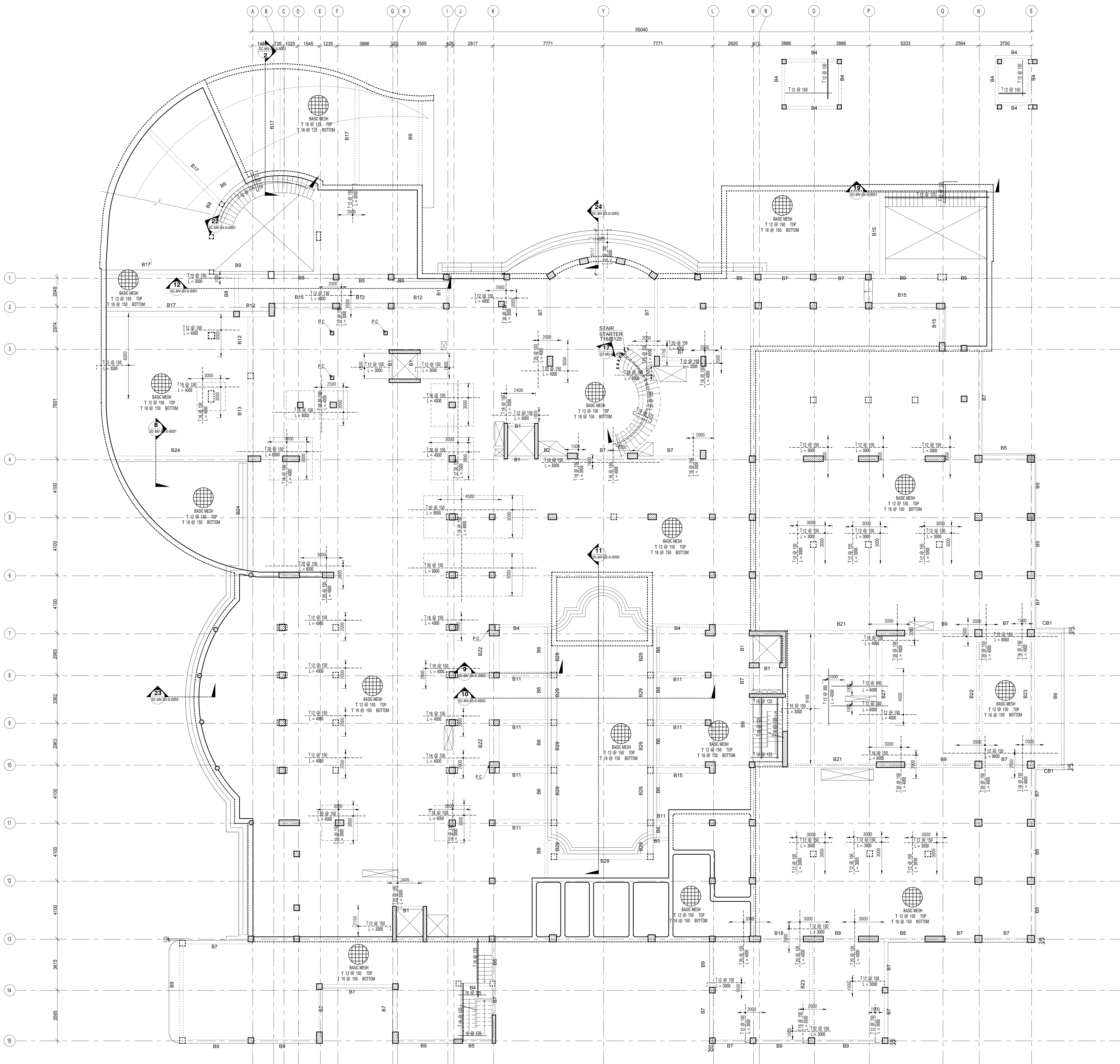
SHEET CONTENTS:
**GENERAL DETAILS
SHEET 2 OF 3**

Structural Package

SCALE: N.T.S

DRAWN BY: H.Z. CHECKED BY: M.E. APPROVED BY: O.M. DESIGNED BY: A.S.

1st ISSUE DATE: 04-11-2022 PROJECT NO: SA21.44 DRAWING NO: SC-MV-00-0-0004 REV: FC-00



GROUND FLOOR REINFORCEMENT PLAN
1:100

NOTES:
 1- REFER TO DRAWINGS SC-MV-(00-0-0002, 00-0-0003, 00-0-0004, 00-0-0005) FOR GENERAL NOTES AND GENERAL DETAILS.
 2- ALL DIMENSIONS TO BE COORDINATED WITH ARCH. DRAWINGS PRIOR TO CONSTRUCTION.
 3- FOR ARCH BEAMS CONCRETE DIMENSION REINFORCEMENT DETAILS REFER TO DRAW

LEGEND
 PC: PLANTED COLUMN

GENERAL NOTES:
 1. DO NOT SCALE FROM THIS DRAWING.
 2. THIS DRAWING MUST BE READ IN CONJUNCTION WITH ALL OTHER RELEVANT DRAWINGS AND SPECIFICATIONS.
 3. CONTRACTOR MUST REPORT ANY DISCREPANCIES PRIOR TO EXECUTION OF ANY WORKS.
 4. ALL DIMENSIONS MUST BE VERIFIED ON SITE PRIOR TO ORDER OR MANUFACTURE OF MATERIALS OR PRODUCTION OF SHOP DRAWINGS.



ISSUED FOR CONSTRUCTION

REV.	DATE	DESCRIPTION
FC-00	04-11-2022	FIRST_ISSUE

CLIENT:
DAR SALEH

MAIN CONSULTANT:

SUB-CONSULTANT:

PROJECT:
Al Morjan Compound Mother Villa
JEDDAH, KSA

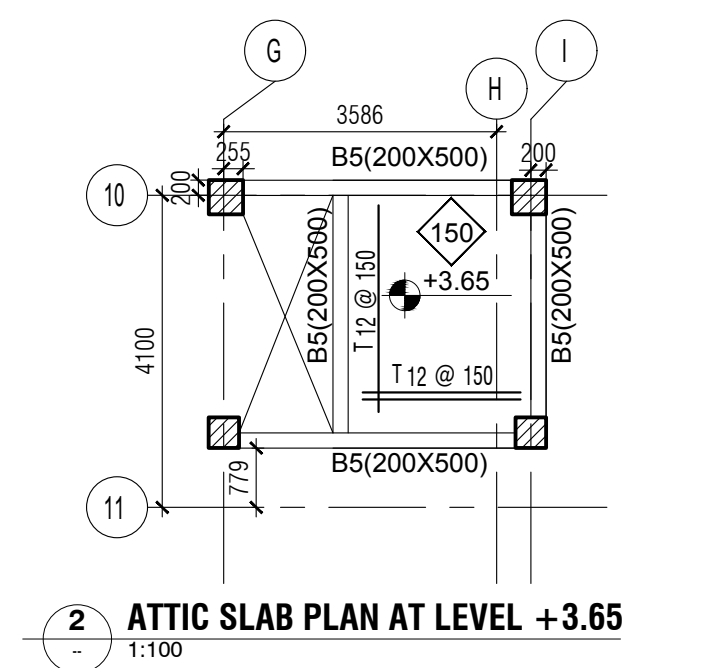
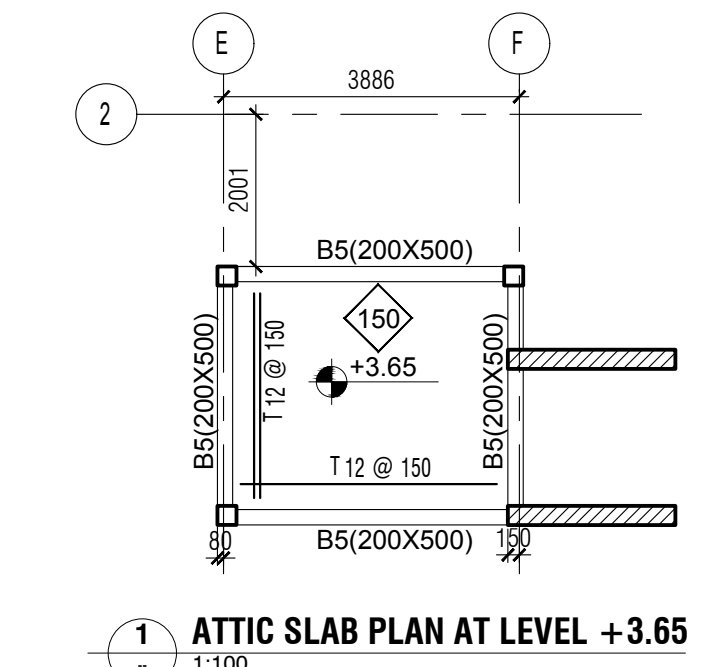
SHEET CONTENTS:
GROUND FLOOR REINFORCEMENT PLAN

Structural Package

SCALE: 1:100

DRAWN BY	CHECKED BY	APPROVED BY	DESIGNED BY
H.Z.	M.E.	O.M.	A.S.

1st ISSUE DATE	PROJECT NO	DRAWING NO	REV
04-11-2022	SA21.44	SC-MV-01-1-0003	FC-00



BUILDING COLUMNS SCHEDULE					REMARKS	BUILDING COLUMNS SCHEDULE					REMARKS
COLUMNS TYPES	BASEMENT FLOOR	GROUND FLOOR	FIRST FLOOR	ROOF FLOOR		COLUMNS TYPES	BASEMENT FLOOR	GROUND FLOOR	FIRST FLOOR	ROOF FLOOR	
C1			---	---	C1* STOPPED AT STAIR/RAMP LEVEL	C16				---	C19* STOPPED AT GROUND FLOOR LEVEL
C2				---		C2* STOPPED AT GROUND FLOOR LEVEL	C17				
C3				---	C4* STOPPED AT GROUND FLOOR C4** STOPPED AT FIRST FLOOR LEVEL C4*** EXTEND TO UPPER ROOF FLOOR LEVEL	C18				---	C5* STOPPED AT FIRST FLOOR LEVEL
C4				---		C19				---	
C5				---	C6* STOPPED AT GROUND FLOOR LEVEL	C20				---	C7* STOPPED AT GROUND FLOOR LEVEL C7** STOPPED AT FIRST FLOOR LEVEL
C6				---		C21				---	
C7				---	C8* STOPPED AT GROUND FLOOR LEVEL	C22			---	---	C10* STOPPED AT FIRST FLOOR LEVEL
C8				---		PC1	---	---		---	
C9				---	C9* STOPPED AT GROUND FLOOR LEVEL	PC2	---	---		---	C11* STOPPED AT FIRST FLOOR LEVEL
C10				---		PC3	---	---	---		
C11				---	C12* STOPPED AT GROUND FLOOR LEVEL C12** STOPPED AT FIRST FLOOR LEVEL	C12				---	C13* STOPPED AT FIRST FLOOR LEVEL
C12				---		C13				---	
C13				---	C14* STOPPED AT GROUND FLOOR LEVEL	C14				---	C15* STOPPED AT GROUND FLOOR LEVEL
C14				---		C15				---	

GENERAL NOTES:
 1. DO NOT SCALE FROM THIS DRAWING.
 2. THIS DRAWING MUST BE READ IN CONJUNCTION WITH ALL OTHER RELEVANT DRAWINGS AND SPECIFICATIONS.
 3. CONTRACTOR MUST REPORT ANY DISCREPANCIES PRIOR TO EXECUTION OF ANY WORKS.
 4. ALL DIMENSIONS MUST BE VERIFIED ON SITE PRIOR TO ORDER OR MANUFACTURE OF MATERIALS OR PRODUCTION OF SHOP DRAWINGS.



ISSUED FOR CONSTRUCTION

REV.	DATE	DESCRIPTION
FC-00	04-11-2022	FIRST_ISSUE

CLIENT:
DAR SALEH

MAIN CONSULTANT :

SUB-CONSULTANT :

PROJECT:
**Al Morjan Compound
Mother Villa**
JEDDAH, KSA

SHEET CONTENTS:
SCHEDULES SHEET 1 OF 3

Structural Package

SCALE				1:25
DRAWN BY	CHECKED BY	APPROVED BY	DESIGNED BY	
H.Z	M.E	O.M	A.S	
1st ISSUE DATE	PROJECT NO	DRAWING NO	REV	
04-11-2022	SA21.44	SC-MV-02-0-0001	FC-00	

TYPE	BOTTOM RFT.		TOP RFT.		WEB RFT. (STRAIGHT) F	STIRRUPS		REMARKS	
	A	B	C	D		E	ZONE-A		ZONE-B
B1	2T 12	---	2T 12	2T 12	2T 12	---	Y 8@150	Y 8@ 200	
B2	2T 12	---	2T 12	2T 16	2T 16	---	Y 8@150	Y 8@ 200	
B3	2T 12	---	2T 12	2T 20	2T 20	---	Y 8@150	Y 8@ 200	
B4	2T 16	---	2T 12	2T 12	2T 12	---	Y 8@150	Y 8@ 200	
B5	2T 16	---	2T 12	2T 16	2T 16	---	Y 8@150	Y 8@ 200	
B6	2T 20	---	2T 12	2T 20	2T 20	T10@150	Y 8@150	Y 8@ 200	
B7	2T 20	---	2T 12	2T 20	2T 20	---	Y 8@150	Y 8@ 200	
B8	2T 20	---	2T 12	2T 20	2T 20	---	T12@150	Y 8@ 200	
B9	3T 20	---	2T 12	3T 20	3T 20	---	Y 8@150	Y 8@ 200	
B10	5T 20	---	2T 12	5T 20	5T 20	---	T12@150	Y 8@ 200	
B11	4T 12	---	4T 12	4T 12	4T 12	---	Y 8@150	Y 8@ 200	
B12	4T 12	---	4T 12	4T 16	4T 16	---	Y 8@150	Y 8@ 200	
B13	4T 12	---	4T 12	4T 20	4T 20	---	Y 8@150	Y 8@ 200	
B14	4T 16	---	4T 12	4T 12	4T 12	---	Y 8@150	Y 8@ 200	
B15	4T 16	---	4T 12	4T 16	4T 16	---	Y 8@150	Y 8@ 200	
B16	4T 16	---	4T 12	4T 20	4T 20	---	Y 8@150	Y 8@ 200	
B17	4T 20	---	4T 12	4T 20	4T 20	---	Y 8@150	Y 8@ 200	
B18	4T 20	---	4T 12	4T 20	4T 20	---	T14@150	Y 8@ 200	
B19	4T 20	---	4T 12	6T 20	6T 20	---	Y 8@150	Y 8@ 200	
B20	4T 20	---	4T 12	8T 20	8T 20	---	Y 8@150	Y 8@ 200	
B21	4T 20	---	4T 12	8T 20	8T 20	---	T14@150	Y 8@ 200	
B22	8T 20	---	4T 12	8T 20	8T 20	---	Y 8@150	Y 8@ 200	
B23	8T 20	---	4T 12	8T 20	8T 20	---	T14@150	Y 8@ 200	
B24	6T 20	---	4T 12	8T 20	8T 20	---	Y 8@150	Y 8@ 200	
B25	6T 20	---	4T 12	4T 20	4T 20	---	Y 8@150	Y 8@ 200	
B26	8T 20	---	4T 12	5T 20	5T 20	T10@150	Y 8@150	Y 8@ 200	
B27	10T 20	---	4T 12	10T 20	10T 20	T10@150	T14@150	Y 8@ 200	
B28	8T 16	---	8T 16	8T 16	8T 16	T10@150	T12@150		
B29	8T 16	---	8T 20	8T 20	8T 20	T10@150	T12@150		
CB1	2T 16	---	2T 20	2T 20	2T 20	---	Y 8@150	Y 8@ 200	
AB1	4T 12	---	4T 12	4T 12	4T 12	T10@150	T14@150	Y 8@ 200	
AB2	4T 16	---	4T 12	4T 16	4T 16	T10@150	T14@150	Y 8@ 200	
AB3	4T 20	---	4T 12	4T 20	4T 20	T10@150	T14@150	Y 8@ 200	

NOTES:-

1- NUMBER OF STIRRUP BRANCHES TAKEN AS FOLLOWS:

- a - FOR BEAM WIDTH LESS THAN 400 MM USE 2 BRANCHES STIRRUP
- b - FOR BEAM WIDTH FROM 400 MM TO 800 MM USE 4 BRANCHES STIRRUP
- c - FOR BEAM WIDTH FROM 801 MM TO 1200 MM USE 6 BRANCHES STIRRUP
- d - FOR BEAM WIDTH FROM 1201 MM TO 1500 MM USE 8 BRANCHES STIRRUP

2- IN CONTINUOUS BEAMS WHERE TOP LEFT RFT. NOTED AS (----), THE RFT. IS TAKEN EQUAL TO THE TOP RIGHT RFT. OF THE ADJACENT SPAN.

ISOLATED FOOTINGS SCHEDULE

TYPE	P.C DIMENSIONS (mm)			R.C DIMENSIONS (mm)			BOTTOM RFT/m		TOP RFT/m		REMARKS
	W	L	T	W	L	T	LONGITUDINAL	TRANSVERSE	LONGITUDINAL	TRANSVERSE	
F1	1200	1200	100	1000	1000	400	T12@125	T12@125	---	---	
F2	1950	1950	100	1750	1750	500	T12@125	T12@125	---	---	
F3	2200	2200	100	2000	2000	500	T16@125	T16@125	---	---	
F4	2700	2700	100	2500	2500	500	T16@125	T16@125	---	---	
F5	3200	3200	100	3000	3000	500	T20@125	T20@125	---	---	
F6	3450	3450	100	3250	3250	500	T20@100	T20@100	---	---	
F7	4200	4200	100	4000	4000	700	T20@100	T20@100	---	---	
F8	6700	6700	100	6500	6500	850	T25@100	T25@100	---	---	
F9	6700	4800	100	6500	4600	700	T16@125	T16@125	T12@125	T12@125	
F10	AS SHOWN	100	AS SHOWN	700	T20@125	T20@125	T16@125	T16@125			
F11	16850	5700	100	16650	5500	700	T25@100	T25@100	T12@125	T12@125	
F12	AS SHOWN	100	AS SHOWN	700	T25@125	T25@125	T12@125	T12@125			

W : FOOTING WIDTH
L : FOOTING LENGTH
T : FOOTING THICKNESS

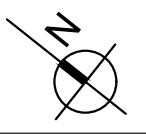
GROUND BEAM SCHEDULE

TYPE	DIMENSIONS (mm)	BOTTOM BARS	TOP BARS	STIRRUP SIZE	REMARKS
GB	250X600	4T 16	4T 16	T10@150	

GENERAL NOTES:

1. DO NOT SCALE FROM THIS DRAWING.
2. THIS DRAWING MUST BE READ IN CONJUNCTION WITH ALL OTHER RELEVANT DRAWINGS AND SPECIFICATIONS.
3. CONTRACTOR MUST REPORT ANY DISCREPANCIES PRIOR TO EXECUTION OF ANY WORKS.
4. ALL DIMENSIONS MUST BE VERIFIED ON SITE PRIOR TO ORDER OR MANUFACTURE OF MATERIALS OR PRODUCTION OF SHOP DRAWINGS.

GENERAL KEY PLAN



ISSUED FOR CONSTRUCTION

REV. DATE DESCRIPTION

FC-00 04-11-2022 FIRST_ISSUE

CLIENT:

DAR SALEH

MAIN CONSULTANT :

SUB-CONSULTANT :

PROJECT:

Al Morjan Compound
Mother Villa
JEDDAH, KSA

SHEET CONTENTS:

SCHEDULES SHEET 3OF3

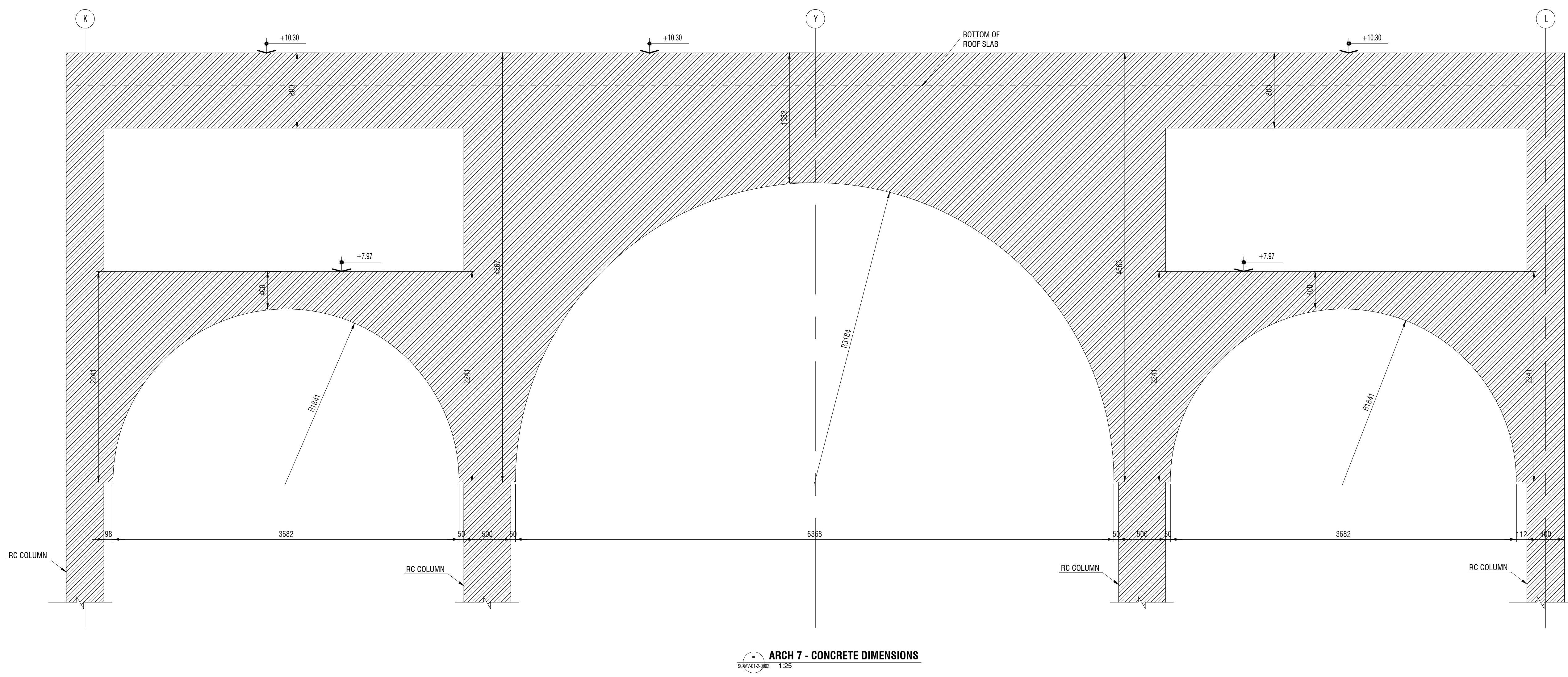
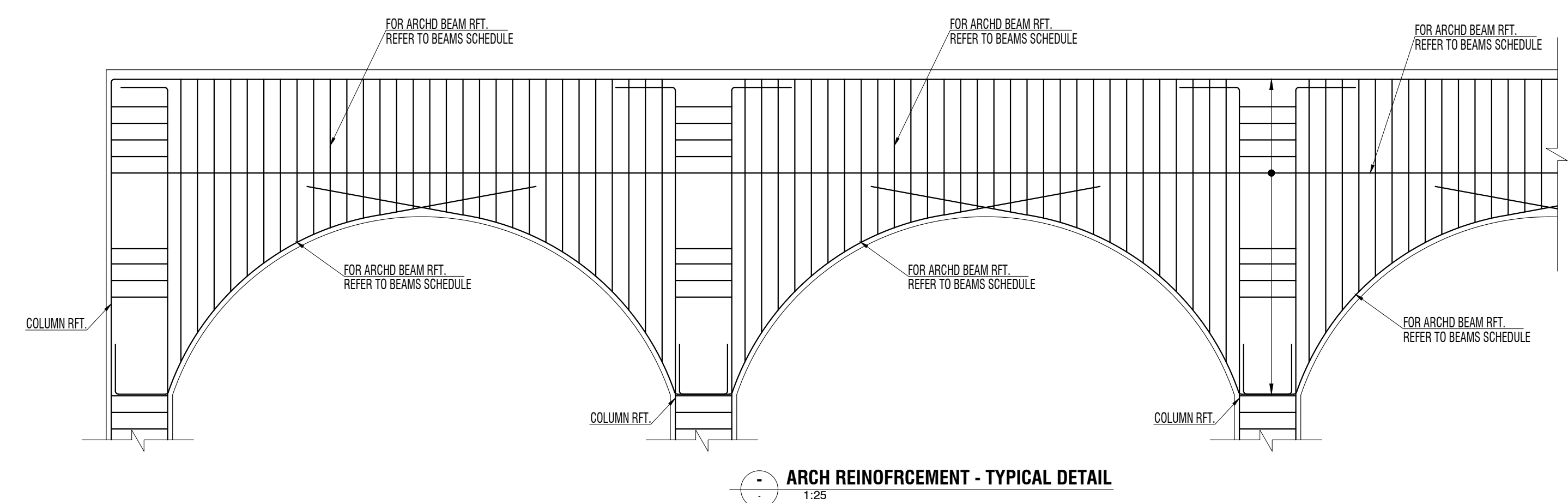
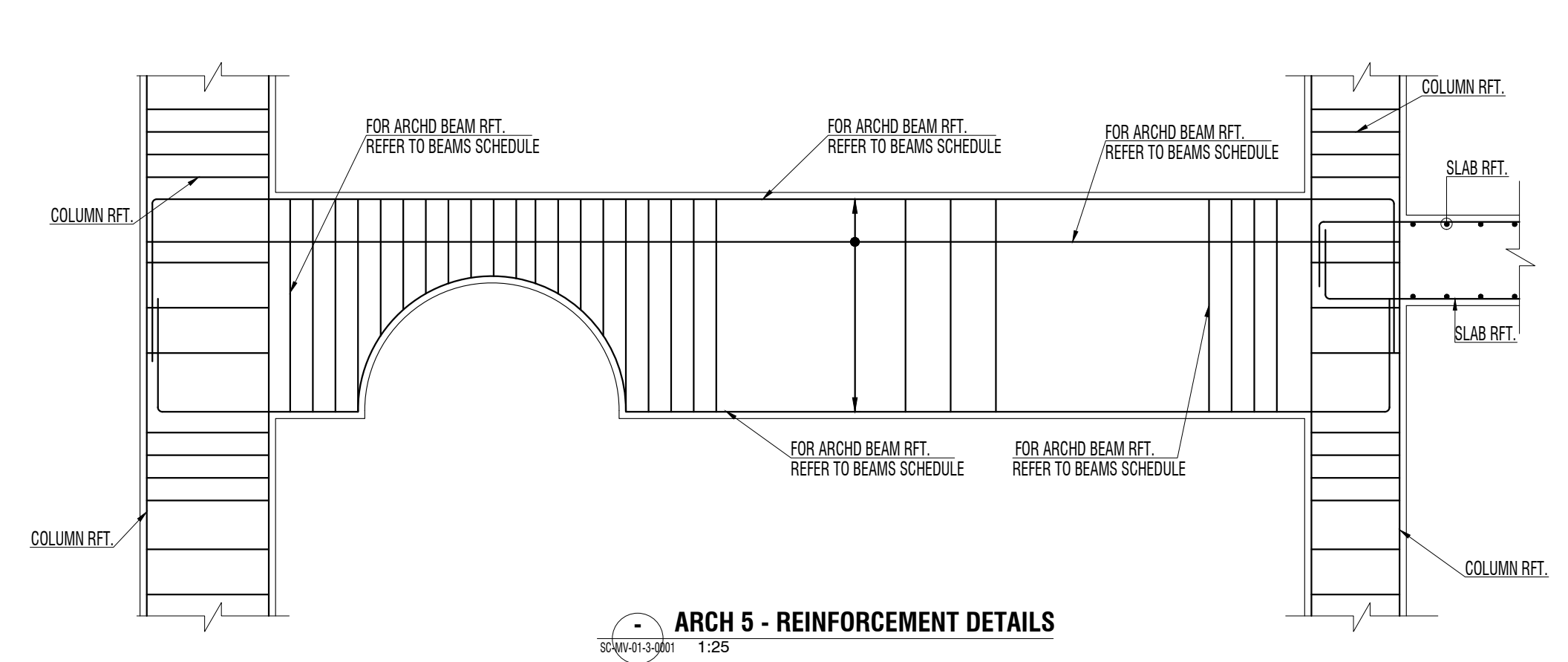
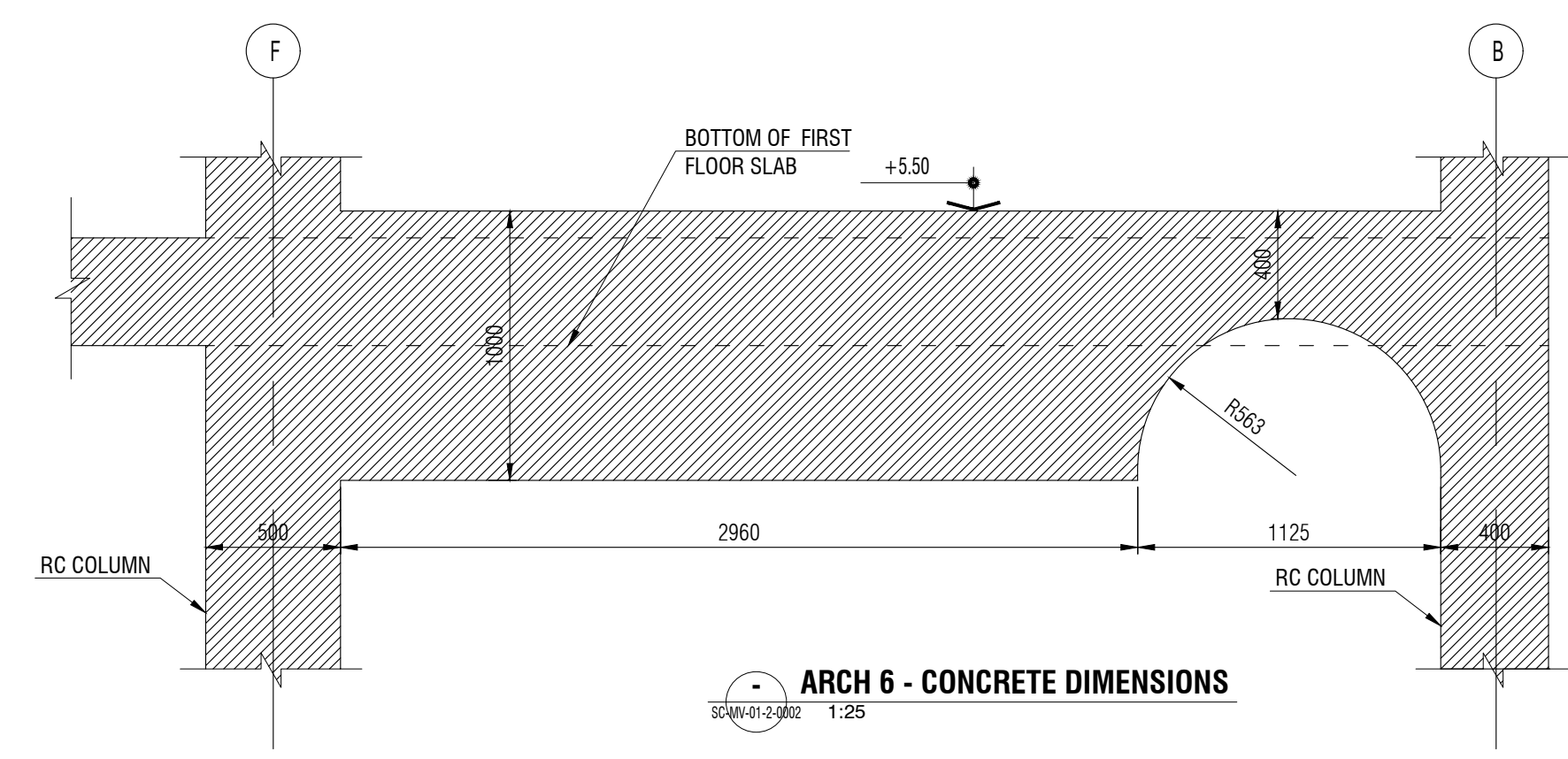
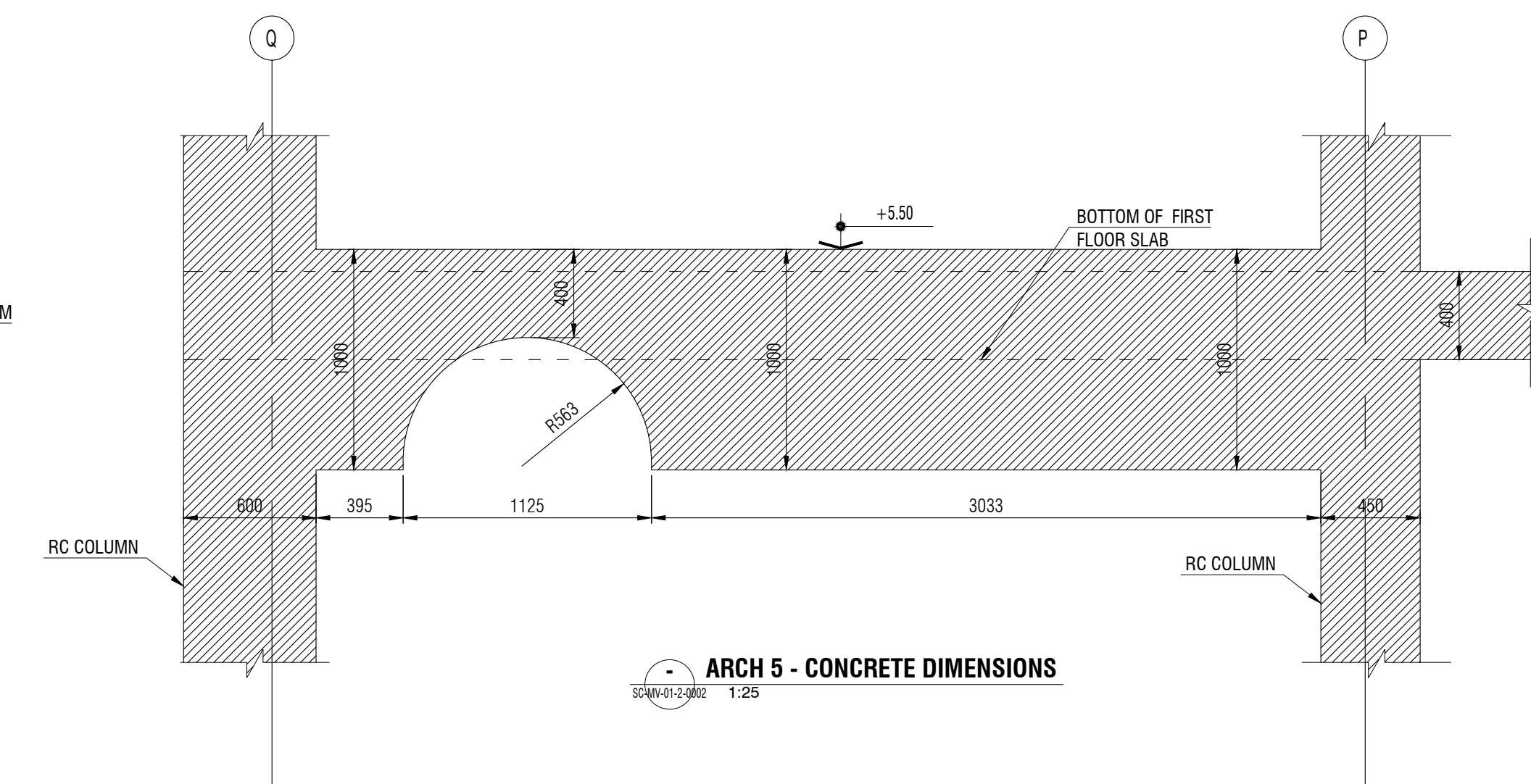
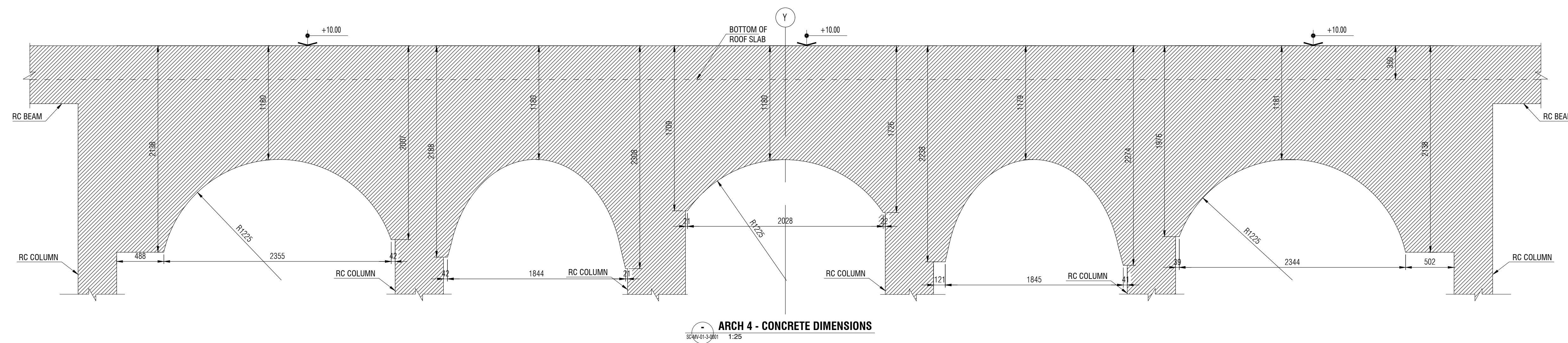
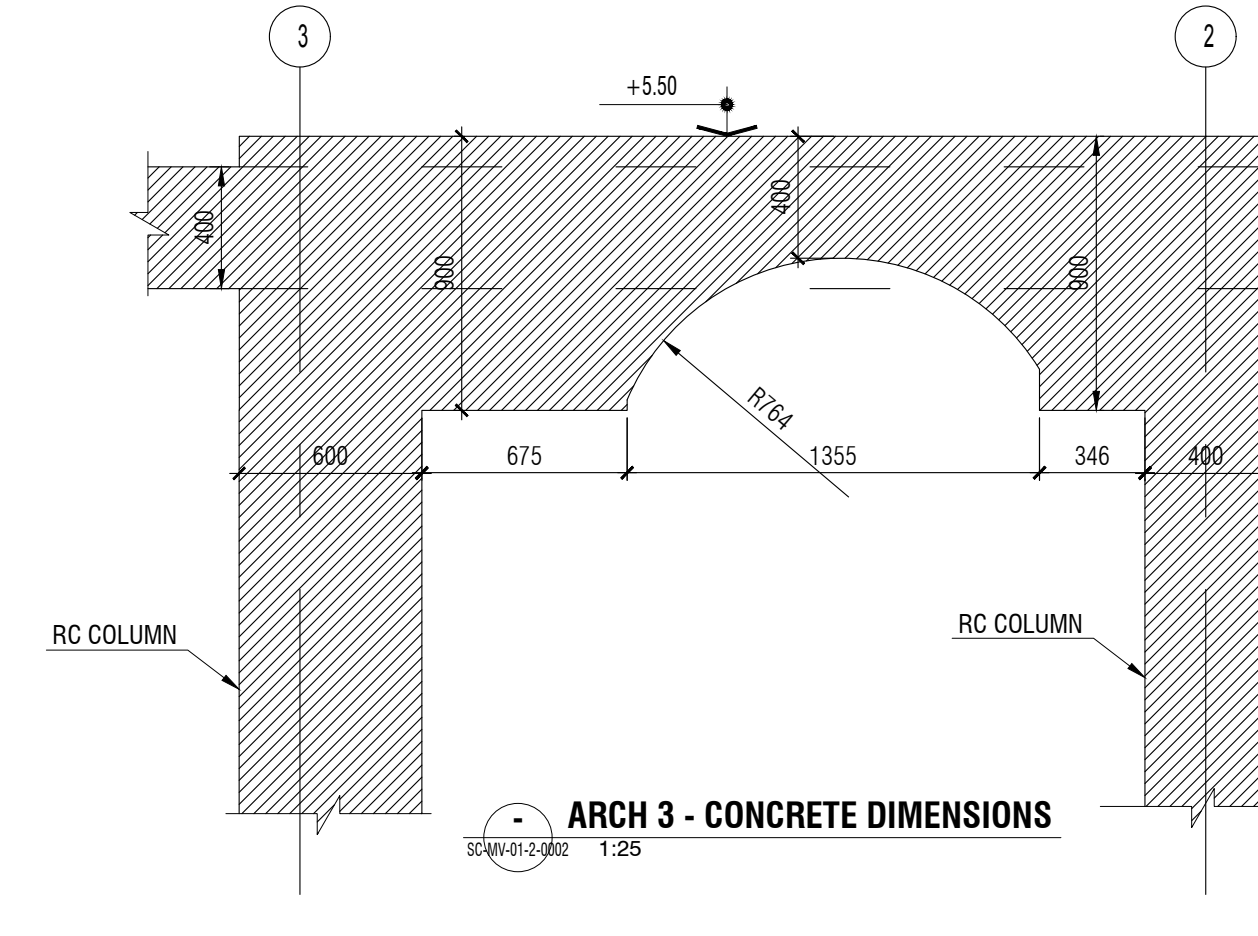
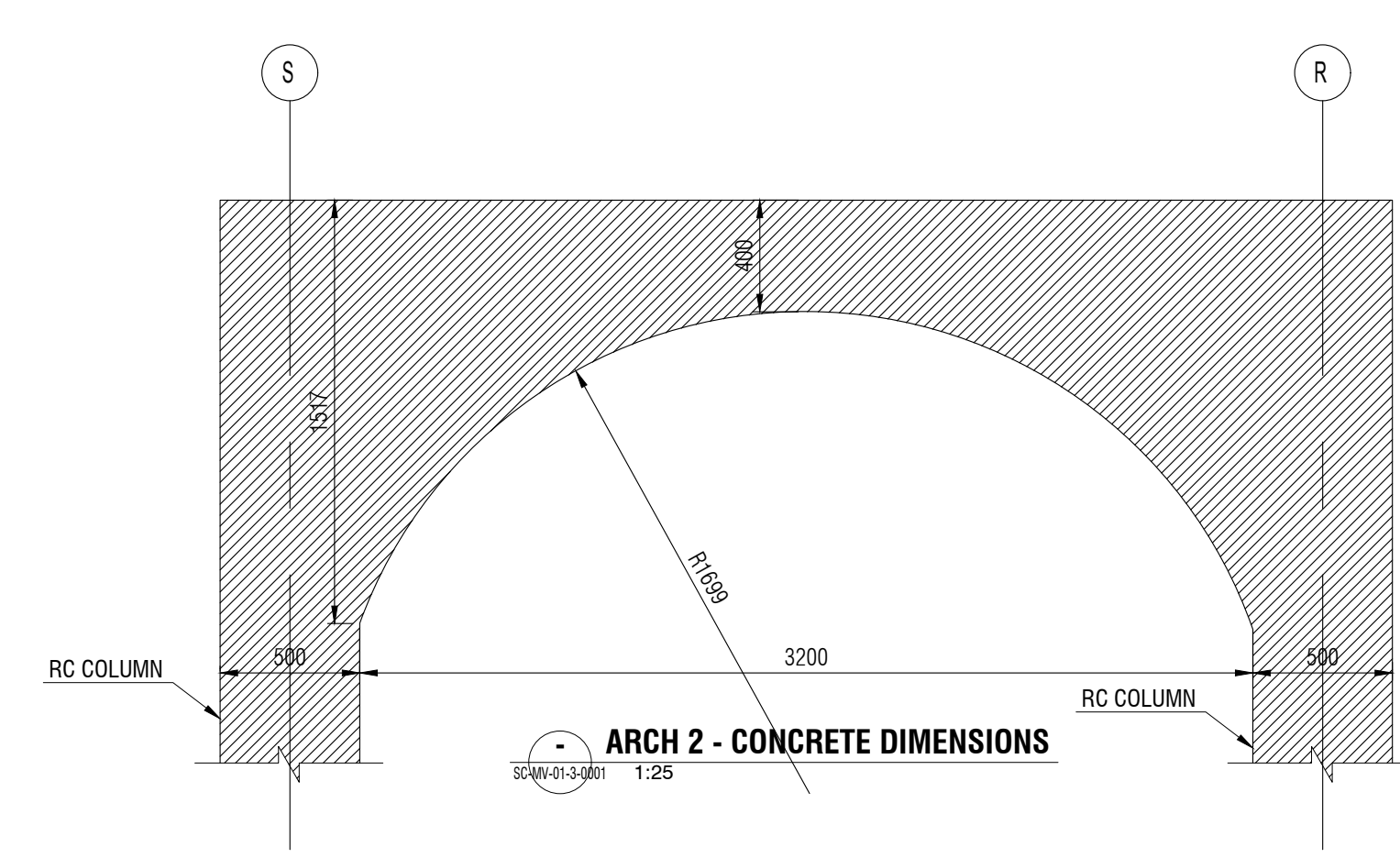
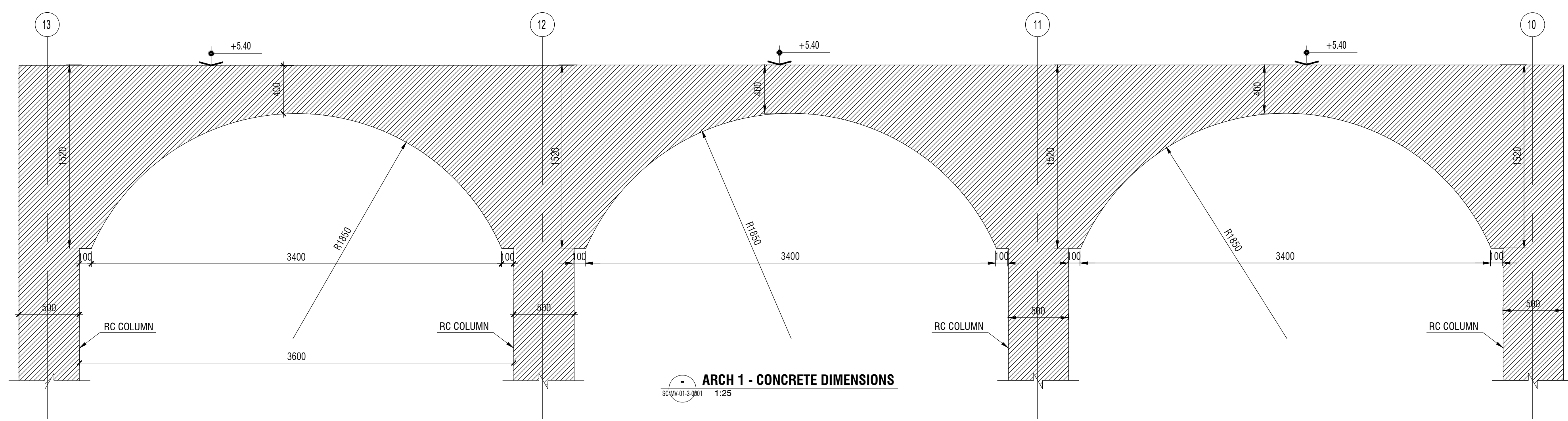
Structural Package

SCALE

N.T.S

DRAWN BY	CHECKED BY	APPROVED BY	DESIGNED BY
H.Z	M.E	O.M	A.S

1st ISSUE DATE	PROJECT NO	DRAWING NO	REV
04-11-2022	SA21.44	SC-MV-02-0-0003	FC-00



GENERAL NOTES:
 1. DO NOT SCALE FROM THIS DRAWING.
 2. THIS DRAWING MUST BE READ IN CONJUNCTION WITH ALL OTHER RELEVANT DRAWINGS AND SPECIFICATIONS.
 3. CONTRACTOR MUST REPORT ANY DISCREPANCIES PRIOR TO EXECUTION OF ANY WORKS.
 4. ALL DIMENSIONS MUST BE VERIFIED ON SITE PRIOR TO ORDER OR MANUFACTURE OF MATERIALS OR PRODUCTION OF SHOP DRAWINGS.



ISSUED FOR CONSTRUCTION

REV.	DATE	DESCRIPTION
FC-00	04-11-2022	FIRST_ISSUE

CLIENT:
DAR SALEH

MAIN CONSULTANT :

SUB-CONSULTANT :

PROJECT:
**Al Morjan Compound
Mother Villa**
JEDDAH, KSA

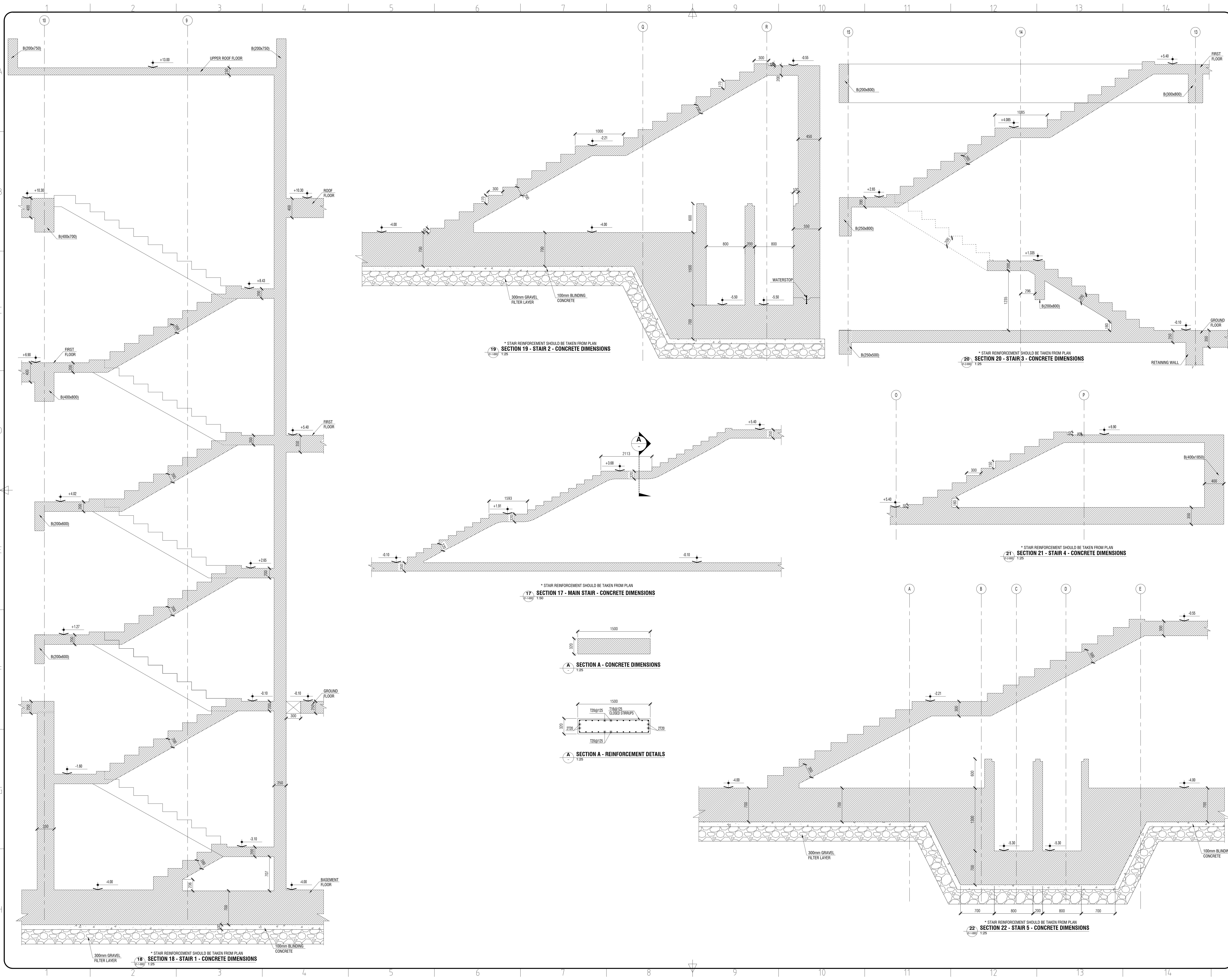
SHEET CONTENTS:
ARCH BEAMS DETAILS

Structural Package

SCALE: 1:25

DRAWN BY	CHECKED BY	APPROVED BY	DESIGNED BY
H.Z.	M.E.	O.M.	A.S.

1st ISSUE DATE	PROJECT NO	DRAWING NO	REV
04-11-2022	SA21.44	SC-MV-03-0-0004	FC-00



GENERAL NOTES:
 1. DO NOT SCALE FROM THIS DRAWING.
 2. THIS DRAWING MUST BE READ IN CONJUNCTION WITH ALL OTHER RELEVANT DRAWINGS AND SPECIFICATIONS.
 3. CONTRACTOR MUST REPORT ANY DISCREPANCIES PRIOR TO EXECUTION OF ANY WORKS.
 4. ALL DIMENSIONS MUST BE VERIFIED ON SITE PRIOR TO ORDER OR MANUFACTURE OF MATERIALS OR PRODUCTION OF SHOP DRAWINGS.



ISSUED FOR CONSTRUCTION

REV.	DATE	DESCRIPTION
FC-00	04-11-2022	FIRST_ISSUE

CLIENT:
DAR SALEH

MAIN CONSULTANT :

SUB-CONSULTANT :

PROJECT:
**Al Morjan Compound
 Mother Villa**
 JEDDAH, KSA

SHEET CONTENTS:
STAIRS DETAILS

Structural Package

SCALE
 AS SHOWN

DRAWN BY	CHECKED BY	APPROVED BY	DESIGNED BY
H.Z	M.E	O.M	A.S

1st ISSUE DATE	PROJECT NO	DRAWING NO	REV
04-11-2022	SA21.44	SC-MV-04-0-0001	FC-00